



**CHANCE**<sup>TM</sup>  
AMERICA'S  
GROUND  
FORCE<sup>TM</sup>

**HELICAL PULLDOWN<sup>®</sup> MICROPILE**  
*DEEP FOUNDATION SOLUTIONS*



COMMERCIAL GRADE





## CHANCE®, SINCE 1912

Hubbell Power Systems, Inc. is the world's leading helical anchoring and foundation manufacturer. The CHANCE® brand family represents American made products for the civil construction, deep foundation, electric utility, oil/gas, railroad, and renewable energy markets. Backed by over 100 years of engineering experience, the CHANCE® Helical Pile System offers a technically advanced and extremely cost effective alternative to other foundation systems.

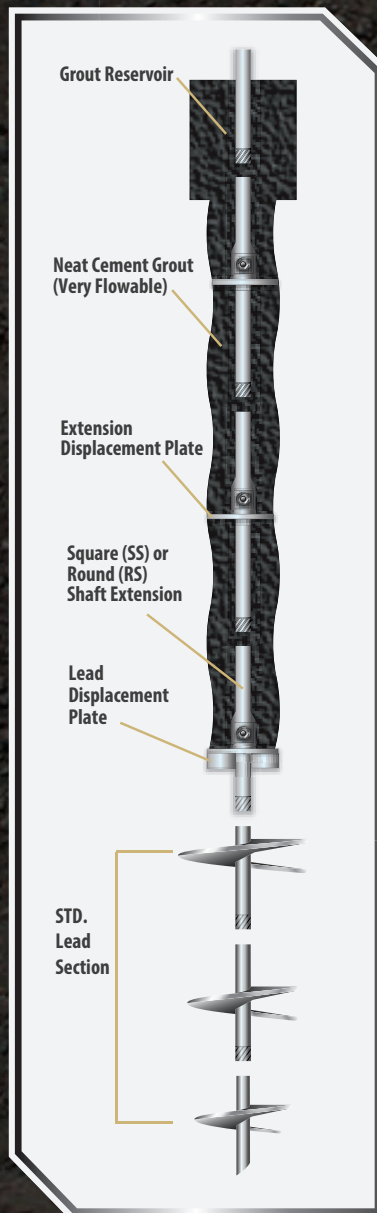
## HELICAL PULLDOWN® MICROPILE

The Helical Pulldown® Micropile is a system for constructing a grout column around the shaft of a standard Helical Pile Foundation System.

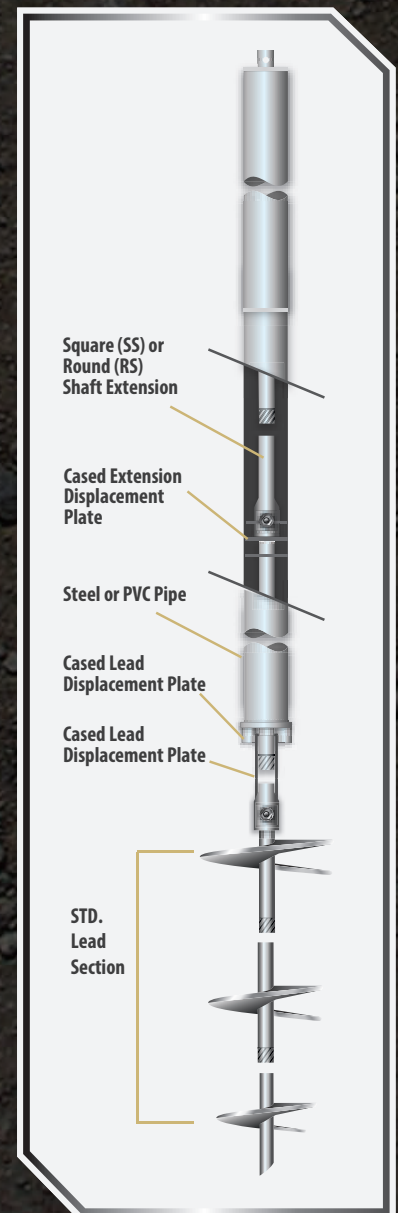
## DEEP FOUNDATION SOLUTION

The Helical Pulldown® Micropile does not require removing spoils from the site. By combining both end-bearing on the helical plates and skin friction along the rough surface of the grout column, the result is a higher capacity pile system. Specify or use the Helical Pulldown® Micropile on your next project.

### UNCASED



### CASED





## INSTALLATION

CHANCE® Helical Foundations install quickly in any weather condition. A hydraulically powered torque motor is mounted to standard construction equipment such as a digger-derrick truck, line truck, rubber tired backhoe, track-hoe excavator, or front end skid-steer loader. Continuous torque and crowd is applied to advance the HELICAL PULLDOWN® Micropile into the soil.

## DEEP FOUNDATION APPLICATIONS

- Commercial / Industrial
- High capacity / Greater than 100 tons
- Underpinning applications
- New construction
- Build on weak soil sites
- Limited access
- Bridges



## FEATURES

- Proven engineered system
- Terminations for various applications
- Combines bearing and friction - best of both worlds
- Extendable with bolted joint connection

## BENEFITS

- Speed: 40-50 piles per day / per crew
- High capacity
- Predictable results
- Cost-effective
- Labor saving - smaller crews
- No pre-drilling
- Resistance to buckling in weak soils
- Stiffer pile (deflects less at a particular load)
- Additional corrosion protection in aggressive soils



# HELICAL PULLDOWN<sup>®</sup> MICROPILE

DEEP FOUNDATION SOLUTIONS

UNDERPINNING

NEW CONSTRUCTION

TELECOM TOWERS

SUBSTATION



*Never Compromise<sup>™</sup>*



CHANCE<sup>®</sup> Civil Construction | 210 North Allen Street | Centralia, MO 65240 | United States of America  
*Because Hubbell has a policy of continuous product improvement, we reserve the right to change design and specifications without notice.*

© 2013 Hubbell Incorporated | Printed in the U.S.A. | Bulletin No. BR04007E | Revision 5.31.13